



WHITE-RODGERS

50A62-820

Integrated Furnace Control
INSTALLATION INSTRUCTIONS

Operator: Save these instructions for future use!

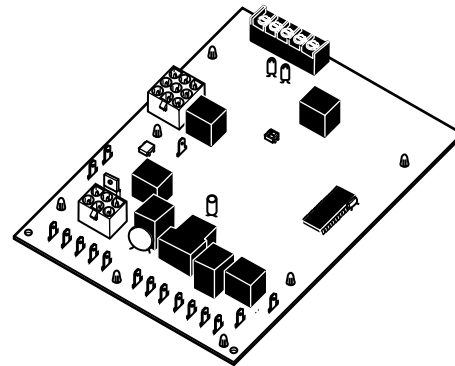
FAILURE TO READ AND FOLLOW ALL INSTRUCTIONS CAREFULLY BEFORE INSTALLING OR OPERATING THIS CONTROL COULD CAUSE PERSONAL INJURY AND/OR PROPERTY DAMAGE.

DESCRIPTION

The 50A62-820 is an automatic gas interrupted ignition control that employs a microprocessor to continually monitor, analyze, and control the proper operation of the gas burner, inducer, and fan.

Signals interpreted during continual surveillance of the thermostat and flame sensing element initiate automatic ignition of the burner, sensing of the flame, and system shut-off during normal operation.

These controls incorporate system fault analysis for quick gas flow shut-off, coupled with automatic ignition retry upon sensing a fault correction.



PRECAUTIONS

⚠ GENERAL PRECAUTION

Application of this type of control may cause flame rollout on initial start-up and could cause personal injury and/or property damage.

Replace only with exact model number, including dash number. Failure to use exact replacement control could cause personal injury and/or property damage.

If in doubt about whether your wiring is millivolt, line, or low voltage, have it inspected by a qualified heating and air conditioning contractor, or licensed electrician.

Do not exceed the specification ratings.

All wiring must conform to local and national electrical codes and ordinances.

This control is a precision instrument, and should be handled carefully. Rough handling or distorting components could cause the control to malfunction.

CONTENTS

Description	1
Precautions	1
Specifications	2
Installation	3
Mounting & Wiring	
Operation	6

⚠ CAUTION

To prevent electrical shock and/or equipment damage, disconnect electric power to system at main fuse or circuit breaker box until installation is complete.

Label all wires prior to disconnection when servicing controls. Wiring errors can cause improper and dangerous operation.

This control is not intended for use in locations where it may come in contact with water. Suitable protection must be provided to shield the control from exposure to water (dripping, spraying, rain, etc.).

⚠ WARNING

Do not use on circuits exceeding specified voltage. Higher voltage will damage control and could cause shock or fire hazard.

Do not short out terminals on gas valve or primary control to test. Short or incorrect wiring will damage thermostat and could cause personal injury and/or property damage.



WHITE-RODGERS
EMERSON ELECTRIC CO.
9797 REAVIS ROAD
ST. LOUIS, MISSOURI 63123-5398
www.white-rodgers.com

Printed in U.S.A.

PART NO. 37-6266A

0119

SPECIFICATIONS

ELECTRICAL RATINGS [@ 77°F (25°C)]:

Input Voltage: 25 VAC 50/60 Hz

Max. Input Current @ 25 VAC: 0.455 amp

Relay Load Ratings:

Valve Relay: 1.5 amp @ 25 VAC 50/60 Hz 0.6 pf

Ignitor Relay: 2.0 amp @ 120 VAC 50/60 Hz
(resistive)

Flame Current Requirements:

Minimum current to insure flame detection: 1 µa DC*

Maximum current for non-detection: 0.1 µa DC*

Maximum allowable leakage resistance: 100 M ohms

*Measured with a DC microammeter in the flame probe lead

OPERATING TEMPERATURE RANGE:

-40° to 175°F (-40° to 80°C)

HUMIDITY RANGE:

5% to 93% relative humidity (non-condensing)

MOUNTING:

Surface mount multipoise

Timing Specs: (@ 60 Hz)

maximum

Flame Establishing Time: 2 sec

Flame Failure Response Time: 2 sec

Gases Approved: Natural, Manufactured, Mixed, Liquid Petroleum, and LP Gas Air Mixtures are all approved for use.

TIMING SPECIFICATIONS

(All times are in seconds, unless noted otherwise)

	50A62-820
PRE-PURGE	15
TRIAL FOR IGNITION PERIOD	4
IGNITION ACTIVATION PERIOD	4
RETRIES	4 times
VALVE SEQUENCE PERIOD	12
INTERPURGE	15
POST-PURGE	5
LOCKOUT TIME	122
HEAT DELAY-TO-FAN-ON	45
HEAT DELAY-TO-FAN-OFF*	60/90/ 120/180
COOL DELAY-TO-FAN-ON	0
COOL DELAY-TO-FAN-OFF	0
IGNITOR WARM-UP	20
HUMIDIFIER	YES
ELECTRONIC AIR CLEANER	YES

* This time will vary depending on option switch position. The control is factory-set at 60 sec. heat delay-to-fan-off. See OPERATION section for further information.

MOUNTING AND WIRING**⚠ WARNING**

Do not use on circuits exceeding specified voltage. Higher voltage will damage control and could cause shock or fire hazard.

⚠ CAUTION

To prevent electrical shock and/or equipment damage, disconnect electric power to system at main fuse or circuit breaker box until installation is complete.

Failure to earth ground the appliance or reversing the neutral and hot wire connection to the line can cause shock hazard.

Shut off main gas to heating system until installation is complete.

Route and secure all wiring as far from flame as practical to prevent fire and/or equipment damage.

NOTE

Replace 50A62 control as a unit - no user serviceable parts.

All wiring should be installed according to local and national electrical codes and ordinances.

The 50A62 control may be mounted only in a control box of a Lennox furnace.

The control must be secured to an area that will experience a minimum of vibration and remain below the maximum ambient temperature rating of 175°F. The control is approved for minimum ambient temperatures of -40°F.

Any orientation is acceptable.

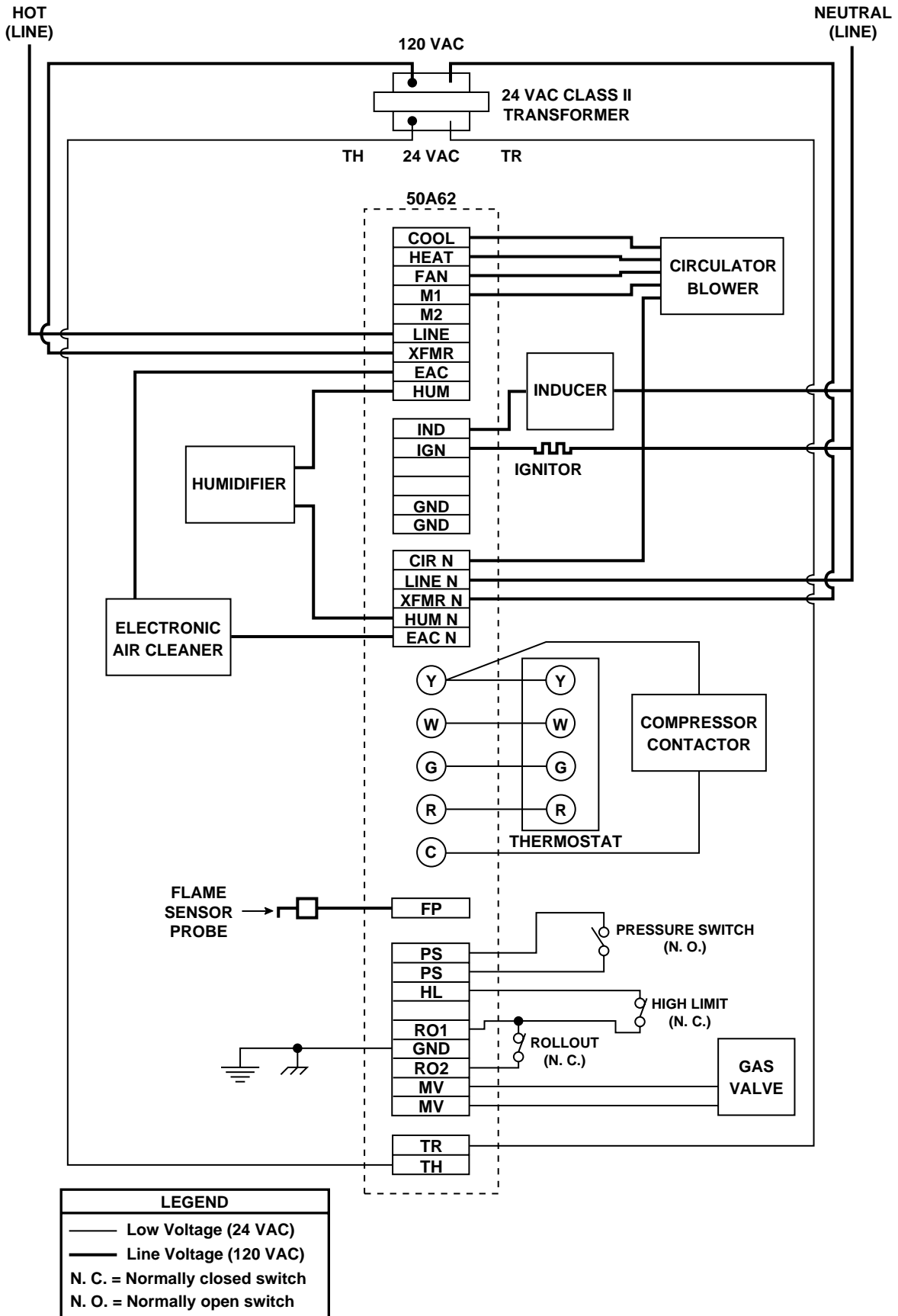
Refer to the wiring diagram and wiring table when connecting the 50A62 control to other components of the system.

UL approved, 105°C rated 18 gauge, stranded, 2/64" thick insulation wire is recommended for all low voltage safety circuit connections. Refer to 50A62 specification sheet for recommended terminals to mate with those on the control.

UL approved 105°C rated 16 gauge min., stranded, 4/64" thick insulation wire is recommended for all line voltage connections. Refer to 50A62 specification sheet for recommended terminals to mate with those on the control.

After installation or replacement, follow appliance manufacturer's recommended installation or service instructions to ensure proper operation.

TYPICAL SYSTEM WIRING DIAGRAM



TYPICAL SYSTEM WIRING TABLE

50A62 TERMINAL	TERMINAL TYPE	SYSTEM COMPONENT CONNECTION
W	captive screw	low voltage thermostat W terminal (or equivalent)
G	captive screw	low voltage thermostat G terminal (or equivalent)
R	captive screw	low voltage thermostat R terminal (or equivalent)
Y	captive screw	low voltage thermostat Y terminal (or equivalent)
		2nd wire from Y terminal goes to 24 VAC HOT side of compressor contactor coil
C	captive screw	24 VAC COMMON side of compressor contactor coil
MV (2 terminals) RO1 RO2 PS PS GND HL (unused terminal)	9-pin connector & harness	gas valve (both gas solenoids are connected in parallel)
		rollout switch OUTPUT
		rollout switch INPUT
		pressure switch INPUT
		pressure switch OUTPUT
		MUST BE RELIABLY GROUNDED TO CHASSIS
		high limit switch input
IND IGN GND GND (unused 2 terminals)	6-pin connector & harness	inducer HOT side
		ignitor HOT side
		inducer NEUTRAL side
		ignitor NEUTRAL side
COOL	spade terminal	circulator blower COOL SPEED terminal
HEAT	spade terminal	circulator blower HEAT SPEED terminal
M1	spade terminal	unused circulator blower terminal
M2	spade terminal	unused circulator blower terminal
FAN	spade terminal	circulator blower FAN SPEED terminal
LINE	spade terminal	input voltage (120 VAC) HOT side
XFMR	spade terminal	24 VAC transformer line voltage HOT side
CIR N	spade terminal	circulator blower NEUTRAL terminal
LINE N	spade terminal	input voltage (120 VAC) NEUTRAL side
XFMR N	spade terminal	24 VAC transformer line voltage NEUTRAL side
HUM	spade terminal	humidifier HOT side
EAC (optional)	spade terminal	electronic air cleaner HOT side
HUM N	spade terminal	humidifier NEUTRAL side
EAC N (optional)	spade terminal	electronic air cleaner NEUTRAL side
TR	spade terminal	24 VAC transformer (low voltage COMMON side)
TH	spade terminal	24 VAC transformer (low voltage HIGH side)
FP	spade terminal	flame sensor port*

* maximum recommended flame probe wire length is 36 inches.

OPERATION

OPTION SWITCHES

The option switches on the 50A62-820 control are used to determine the length of the heat delay-to-fan-off period. The following table shows the time periods that will result from the various switch positions.

OPTION SWITCH POSITIONS

HEAT delay-to-fan-off:	Set switch	
	#1	#2
180 sec.	On	On
120 sec.	On	Off
90 sec.	Off	On
60 sec.*	Off	Off

* Factory setting

HEAT MODE

In a typical system, a call for heat is initiated by closing the thermostat contacts. This starts the 50A62 control's heating sequence. The inducer blower and humidifier are energized (if there is an optional electronic air cleaner on the system, the humidifier is **not** energized until the electronic air cleaner is energized). The 768A Silicon Nitride ignitor is powered within one second.

This controller has an adaptive algorithm that reduces the ignitor temperature to slightly greater than the minimum temperature required to ignite gas in each particular application. The control measures the line voltage and determines an initial ignitor temperature setting based on the measurement. After each successful ignition, the control lowers the ignitor temperature slightly for the next ignition attempt. The control continues to lower the ignitor temperature until ignition does not occur, and the control goes into retry mode. For the second attempt to ignite gas within the same call for heat, the control increases the ignitor temperature to the value it was on the third previous successful ignition. After ignition is successful, the control sets the ignition temperature at this value for the next 255 calls for heat, after which the control repeats the adaptive algorithm. The control is constantly making adjustments to the ignitor temperature to compensate for changes in the line voltage.

The 80 VAC Silicon Nitride ignitor manufactured by White-Rodgers must be used. These ignitors are specially designed to operate with the 50A62's adaptive ignition routine to ensure the most efficient ignitor temperature.

At the end of the ignitor warm-up time, both valves in the 36E manifold gas valve are opened. Flame must be detected within 4 seconds.

If flame is detected, the delay-to-fan-on period begins. After the delay-to-fan-on period ends, the circulator fan is energized at heat speed. If there is an optional electronic air cleaner on the system, the electronic air cleaner and the humidifier are energized. When the thermostat is satisfied, the gas valve is de-energized. After proof of

flame loss, the inducer blower remains energized to purge the system for 5 seconds. When the purge is complete, the inducer blower and humidifier are de-energized and the delay-to-fan-off period begins. After the delay-to-fan-off period ends, the circulator fan and electronic air cleaner are de-energized.

If flame is not detected, both valves are de-energized, the ignitor is turned off, and the 50A62 control goes into the "retry" sequence. The "retry" sequence provides a 15-second wait following an unsuccessful ignition attempt (flame not detected). After this wait, the ignition sequence is restarted. If this ignition attempt is unsuccessful, one more retry will be made before the control goes into system lockout.

If flame is detected, then lost, the 50A62 control will repeat the initial ignition sequence for a total of three "recycles". After three unsuccessful "recycle" attempts, the control will go into system lockout.

If flame is established for more than 10 seconds after ignition, the 50A62 controller will clear the ignition attempt (or retry) counter. If flame is lost after 10 seconds, it will restart the ignition sequence. This can occur a maximum of five times before system lockout.

During burner operation, a momentary loss of power of 50 milliseconds or longer will de-energize the main gas valve. When power is restored, the gas valve will remain de-energized and a restart of the ignition sequence will begin immediately.

A momentary loss of gas supply, flame blowout, or a shorted or open condition in the flame probe circuit will be sensed within 2 seconds. The gas valve will de-energize and the control will restart the ignition sequence. Recycles will begin and the burner will operate normally if the gas supply returns, or the fault condition is corrected, before the last ignition attempt. Otherwise, the control will go into system lockout.

If the control has gone into system lockout, it may be possible to reset the control by a momentary power interruption of one second or longer. Refer to **PRECAUTIONARY, SYSTEM LOCKOUT, AND DIAGNOSTIC FEATURES**.

COOL MODE

In a typical system, a call for cool is initiated by closing the thermostat contacts. This starts the 50A62 control's cooling sequence. The compressor is energized and the cool mode delay-to-fan-on period begins. After the delay-to-fan-on period ends, the circulator fan is energized at cool speed. The electronic air cleaner (optional) is also energized. After the thermostat is satisfied, the compressor is de-energized and the cool mode delay-to-fan-off period begins. After the delay-to-fan-off period ends, the circulator fan and electronic air cleaner (optional) are de-energized.

MANUAL FAN ON MODE

If the thermostat fan switch is moved to the ON position, the circulator fan (fan speed) and optional electronic air cleaner are energized. When the fan switch is returned to the AUTO position, the circulator fan and electronic air cleaner (optional) are de-energized.

PRECAUTIONARY, SYSTEM LOCKOUT, AND DIAGNOSTIC FEATURES

PRECAUTIONARY FEATURES

The following precautionary features are built into the 50A62 control.

1. If, at any time, the flame rollout sensor opens, the gas valve and ignitor are de-energized.
2. If, at any time, flame is sensed when the gas valve is de-energized, the heat circulator blower and inducer fan are energized and the ignition sequence will go into system lock out. The heat circulator and inducer will remain on as long as flame is detected. If flame is no longer detected, the inducer will turn off in 5 seconds and the circulator will turn off using the maximum heat off delay.
3. If, at any time, the flame rollout switch opens, the heat circulator blower and inducer fan are energized and the ignition sequence will go into system lock out. The inducer will remain energized for 5 seconds. The circulator will remain on as long as the flame rollout switch is detected open, then use the maximum heat off delay.
4. If at any time the main valve sense input does not correspond to the program's requested gas valve state, the inducer is de-energized and the ignition sequence will go into system lock out. The heat circulator blower will be energized using the maximum heat off delay, provided a heat off delay is already in progress.

SYSTEM LOCKOUT FEATURES

When system lockout occurs, the gas valve is de-energized, the circulator blower is energized at heat speed, and, if flame is sensed, the inducer blower is energized for 5 seconds. The diagnostic indicator light will flash or glow continuously to indicate system status. **(System lockout will never override the precautionary features described above.)**

To reset the control after system lockout, do one of the following:

1. Interrupt the call for heat at the thermostat for at least one second (if flame is sensed with the gas valve de-energized, interrupting the call for heat at the thermostat will **not** reset the control).
2. Interrupt the 24 VAC power at the control for at least one second. You may also need to reset the flame rollout sensor switch.
3. After one hour in lockout, the control will automatically reset itself.

DIAGNOSTIC FEATURES

The 50A62-820 control continuously monitors its own operation and the operation of the system. If a failure occurs, the DIAG 1 and DIAG 2 LEDs will indicate a failure code as shown below.

SAFETY CIRCUIT	DIAG 1	DIAG 2
Limit Control	Slow Flash	On
Pressure Switch	Off	Slow Flash
Watch Guard - Burners Failed to Ignite	Alternate Slow Flash	Alternate Slow Flash
Flame Sensed Without Valve Energized	Slow Flash	Off
Roll Out Open or 9-Pin Connector Disconnected	On	Slow Flash
Bad Board	On	On
Power On	Simultaneous Slow Flash	Simultaneous Slow Flash
Low Flame	Slow Flash	Slow Flash
Reverse Polarity	Fast Flash	Slow Flash
Low Voltage or Ignitor Disconnected	Alternate Fast Flash	Alternate Fast Flash
Heat Demand	Simultaneous Fast Flash	Simultaneous Fast Flash

